

Die Grinders (Collet Output)

400GE Series



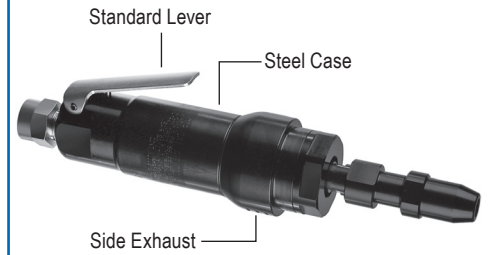
400GESK;20000;1/4

400HGE Series



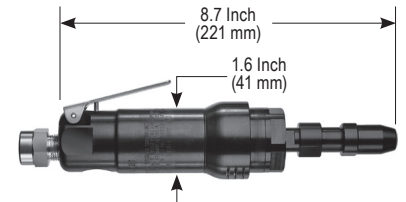
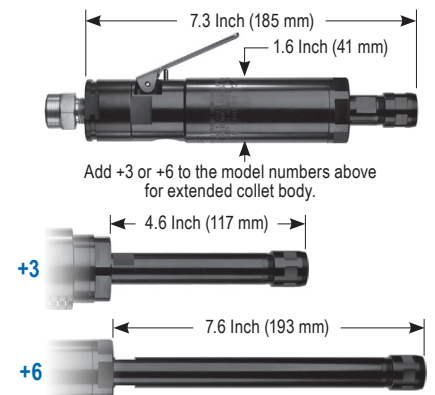
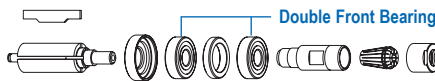
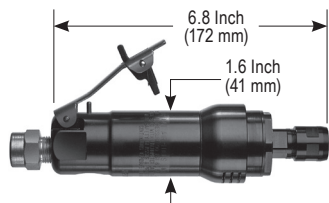
400HGESR;20000;1/4

400GT Series



400GTS4;20000;1/4

Collet Type/ Capacity	Exhaust Direction	Max. Rated Speed	Lever Style	MODEL NUMBER	Collet Type/ Capacity	Exhaust Direction	Max. Rated Speed	Lever Style	MODEL NUMBER	Collet Type/ Capacity	Exhaust Direction	Max. Rated Speed	Lever Style	MODEL NUMBER		
ER Style Insert Collet 3/8 Inch (10 mm) Maximum	Side	20,000 RPM	Standard	400GES;20000;1/4	Double Front Bearing ER Style Insert Collet 3/8 Inch (10 mm) Maximum	Side	20,000 RPM	Standard	400HGES;20000;1/4	Bullet Shaped TC-1010 Collet 1/4 Inch Only	Side	20,000 RPM	Standard	400GTS;20000;1/4		
			Safety	400GESK;20000;1/4				Safety	400HGESK;20000;1/4				Safety	400GTSK;20000;1/4		
		18,000 RPM	Standard	400GES;18000;1/4			Standard	400HGES;18000;1/4	Standard			400GTS;18000;1/4				
			Safety	400GESK;18000;1/4			Safety	400HGESK;18000;1/4	Safety			400GTSK;18000;1/4				
	Rear	20,000 RPM	Standard	400GESR;20000;1/4		20,000 RPM	Rear	20,000 RPM	Standard		400HGESR;20000;1/4	20,000 RPM	Rear	20,000 RPM	Standard	400GTSR;20000;1/4
			Safety	400GESRK;20000;1/4					Safety		400HGESRK;20000;1/4				Safety	400GTSRK;20000;1/4
		18,000 RPM	Standard	400GESR;18000;1/4			18,000 RPM	Standard	400HGESR;18000;1/4			18,000 RPM	Standard	400GTSR;18000;1/4		
			Safety	400GESRK;18000;1/4				18,000 RPM	Safety	400HGESRK;18000;1/4				18,000 RPM	Safety	400GTSRK;18000;1/4



HP 1.2 H.P. (900 W)
cfm 35 cfm (16.5 L/s) Max
Lbs 1.8 Lbs. (0.8 Kg) Aluminum, 2.4 Lbs. (1.1 Kg) Steel
SUPPLY 3/8" NPT Inlet, 1/2" (13mm) Hose Size

HP 1.2 H.P. (900 W)
cfm 35 cfm (16.5 L/s) Max
Lbs 1.8 Lbs. (0.8 Kg) Aluminum, 2.4 Lbs. (1.1 Kg) Steel
SUPPLY 3/8" NPT Inlet, 1/2" (13mm) Hose Size

HP 1.2 H.P. (900 W)
cfm 35 cfm (16.5 L/s) Max
Lbs 2.0 Lbs. (0.9 Kg) Aluminum, 2.6 Lbs. (1.2 Kg) Steel
SUPPLY 3/8" NPT Inlet, 1/2" (13mm) Hose Size

STANDARD EQUIPMENT

- Tool
- Operating Instructions and Service Manual
- Wrenches (sizes based on options)

400GE, 400GT & 400HGE Alternate Options



Front Exhaust option is available on all 400 Series Die Grinders.

Inserted Tool Mounting

